

# Powered Drive Straddle Truck **BLUE GIANT**<sup>®</sup>

## EPS-22

Narrow aisle stacker, general material handling, stacking, work positioning in high areas.

### CAPACITY

- 2200 lb (998 kg) at 24" (610 mm) load center

### BATTERY

- 24-volt AGM maintenance-free batteries
- Direct connect 110A 110V AC plug-in automatic charger
  
- **EPS-22-62:** (2) 12V 65Ah
- **EPS-22-96/116:** (2) 12V 85Ah AGM

### SPEED

- Curtis<sup>®</sup> transistor travel controller

- **EMPTY:** 0 - 3.4 mph (5.5 kmh)
- **LOADED:** 0 - 2.5 mph (4 kmh)

- **LIFT - EMPTY:** up to 33.5 fpm
- **LIFT - LOADED:** up to 17.8 fpm

- **LOWERING - EMPTY:** up to 17.5 fpm
- **LOWERING - LOADED:** up to 17.6 fpm

### TIRES / WHEELS

- **DRIVE:** 8.26" x 2.76" (210 x 70.1 mm) polyurethane
- **STABILITY:** 4" x 2" (102 x 51 mm) polyurethane
- **DUAL LOAD:** (2) 4" x 2" (102 x 51 mm) polyurethane

### HYDRAULICS

- Hard chrome lift cylinder and permanent magnet pump motor provides smooth lifting and lowering
- Pump unit includes DC motor, solenoid, and gear pump

### ELECTRICAL

- Curtis<sup>®</sup> travel control provides smooth, step less travel
- Quick disconnect EPD power cut-off
- Battery discharge indicator

### BRAKES

- Electronic neutral braking function provides smooth control
- Electromagnetic disc brake provides safe and secure stops

### OPERATION / CONTROLS

- Offset steering arm allows right angle stacking in aisles as narrow as 60" (1524 mm)
- Ergonomic operator handle with travel, lift, and lower functions
- Angle grips allow for easy operation with either hand
- Wrap-around guard
- Reversing switch and horn
- Thumb control



- Low mounted tiller arm offers excellent operator comfort and minimum steering effort

### DRIVE

- 24-volt permanent magnet DC drive motor with rare earth neodymium magnets increases efficiency and duty cycle

### FRAME AND MAST

- Durable all steel construction welded rigid steel chassis
- Adjustable forks on pin style carriage
- Forks adjustable from 8" (203 mm) ID to 27.5" (699 mm) OD
- Standard fork is 42" (1067 mm) long x 3.5" (89 mm) wide x 1.25" (32 mm) thick
- 3" (76 mm) wide adjustable straddle legs for ease of operation
- Four position adjustment
- Straddle ID can be set at 38" (965 mm) to 50" (1270 mm) in 4" (102 mm) increments
- Fully enclosed wheel guard and flush mounted axles
- **EPS-22-62:** non-telescoping mono mast with single lifting chain and mast rollers

### ACCESSIBILITY

- Removable one piece power head cover allows for easy maintenance

### OPTIONAL EQUIPMENT

- 85Ah available on EPS-22-62 model
- Handheld remote lift and lower control box with 3' (914 mm) coiled cord

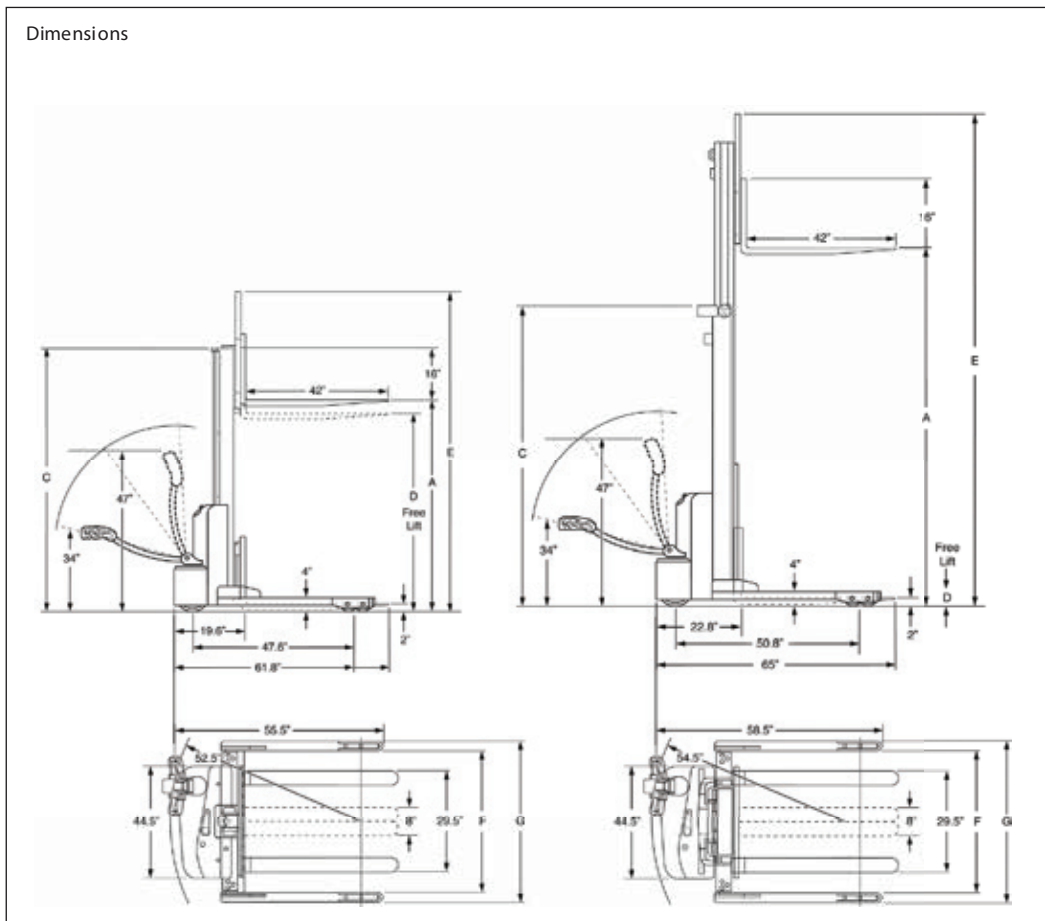
**OPTIONAL BATTERY UPGRADE**

- 85Ah available on model S22-62
- Hand held remote lift and lower control box with 3' (914 mm) coiled cord



**TWO STAGE MAST FOR EPS-22-96/116**

- Telescoping high-visibility mast and inner rail
- Clear view Plexiglas mast guard
- Dual lifting chains
- Adjustable mast rollers
- Chrome plated lift cylinder



Model#	Mast	Lift Height	Col. Height	Free Lift	Ext. Height w/LBR	Adjustable Mast Leg 4" Increments		Weight (Complete)	
						ID	OD	lb	kg
		A	B	C	E	F	G		
2200lb (998 kg) Capacity at 24" (610 mm) Load Center ITA Class II Fork Carriage									
EPS-22-62	Mono	62" (1575 mm)	76.4" (1941 mm)	55.6" (1412 mm)	83.0" (2108 mm)	38" to 50" (965 mm to 1270 mm)	44" to 56" (1117 mm to 1422 mm)	1190	540
EPS-22-96	Telescopic	96" (2438 mm)	70.7" (1796 mm)	0	134.0" (3404 mm)			1320	599
EPS-22-116	Telescopic	116" (2946 mm)	80.7" (2050 mm)	0	153.5" (3899 mm)			1360	617

<sup>3</sup> Complete weight includes truck, battery and charger  
High lift height will be available



**LONDON, Ontario**  
331 Sovereign Road  
London, ON N6M 1A6  
Phone: 519-452-7770  
Email: info@liftdepot.com

**WINDSOR, Ontario**  
2-5900 Rhodes Drive  
Windsor, ON N8N 2M1  
Phone: 519-988-0006  
Email: info@liftdepot.com

**STRATFORD, Ontario**  
557 Lorne Ave. East  
Stratford, ON N5A 6S4  
Phone: 519-273-7664  
Email: info@liftdepot.com

**CAMBRIDGE, Ontario**  
45 Barnes Road  
Cambridge, ON N3H 4R7  
Phone: 519-653-4713  
Email: info@liftdepot.com

[WWW.LIFTDEPOT.COM](http://WWW.LIFTDEPOT.COM)