

BGL-33

Power Steering. Power Drive. Counterbalanced.

CAPACITY

- 3300 lb (1497 kg) at 24" (610 mm) load center

BATTERY

- Compartment (open): 32.5" x 13.1" (826 x 333 mm)
- Minimum battery weight 1050 lb (476 kg)
- Connector: Anderson 175 Gray—A-11

SPEED

- 24-volt ZAPI travel controller
- Separate power steering controller
- **EMPTY:** 0 - 3.4 mph (5.5 kph)
- **LOADED:** 0 - 3.1 mph (5 kph)

- **LIFT - EMPTY:** up to 34 fpm
- **LIFT - LOADED:** up to 24 fpm

- **LOWERING - EMPTY:** up to 27 fpm
- **LOWERING - LOADED:** up to 20 fpm loaded

TILT

- **BACK:** 8°
- **FORWARD:** 1.5°

TIRES / WHEELS

- **DRIVE:** 10" x 4.1" (254 x 104 mm) polyurethane
- **LOAD:** 10" x 4" (254 x 102 mm) polyurethane

HYDRAULICS

- Hard chrome lift cylinder
- Pump unit includes motor, gear pump, solenoid, and pressure compensated lowering valves that regulate lowering speed

ELECTRICAL

- Infinitely variable travel controller and AC drive motor provides high torque throughout the entire drive range
- Low-maintenance brushless design
- Automatic resetting circuit breaker and one piece micro switch
- Low battery interrupt
- Hour meter / battery discharge indicator combo
- Travel speed remains constant relative to throttle position, regardless of the load on the truck

BRAKES

- Regenerative electromagnetic brake is mounted on motor armature shaft, multiplying the braking power through the transmission
- Brake is applied when control arm is in the vertical or horizontal handle position



- Travel speed reduced when forks above 12" (305 mm) fork height
- Neutral braking resists rollback on ramps

OPERATION / CONTROLS

- Ergonomic operator handle with travel, lift, and lower functions
- Wrap-around guard
- Reversing switch
- Thumb control
- Key switch and horn
- Gas-assisted spring handle

TRANSMISSION

- Vertically mounted drive motor is direct mounted to gear housing
- Oil-bathed ZF GK10 hypoid bevel gear drivetrain
- State-of-the-art optimized gear technology provides minimal envelope circle, zero maintenance, and low noise level

FRAME AND MAST

- Bolt-on high-visibility I-beam construction
- Dual lifting chains
- Class II ITA fork carriage with 36" (914 mm) tall load backrest

BEARINGS

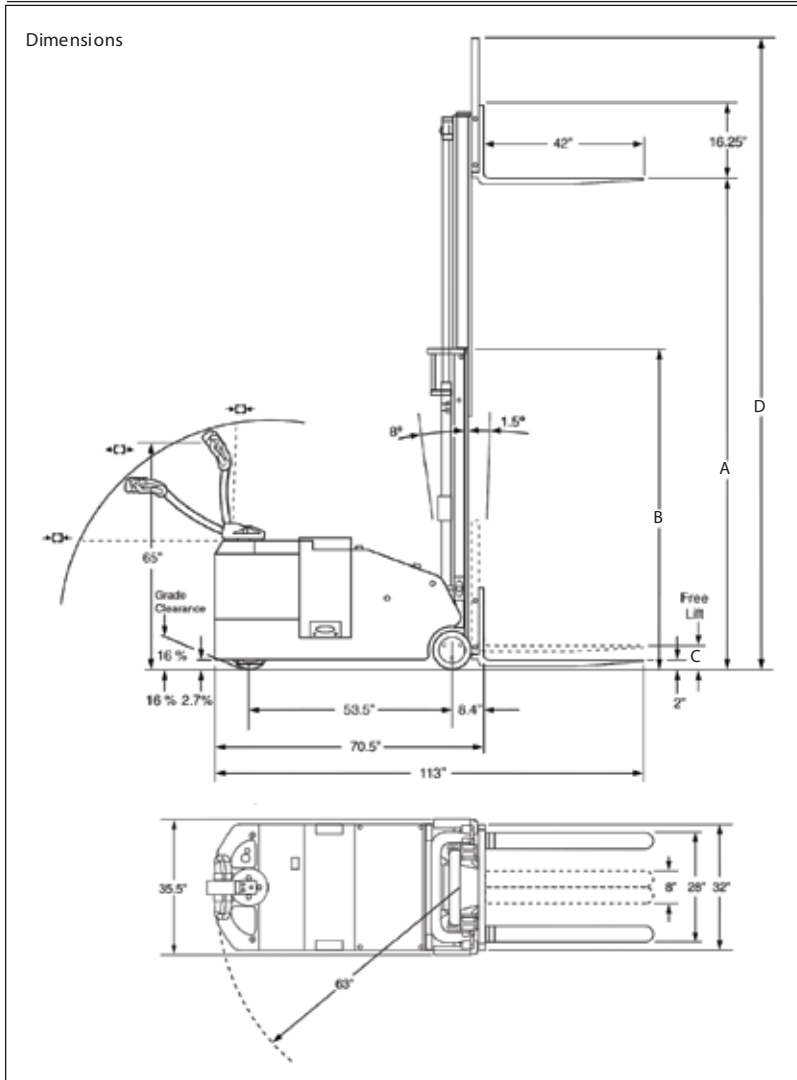
- **DRIVE WHEEL:** Tapered roller bearings sealed in oil bath
- **LOAD WHEELS:** Sealed ball bearings

ACCESSIBILITY

- Removal of two piece power head cover exposes major components for inspection and maintenance
- Drive wheel is removed with one nut

OPTIONAL EQUIPMENT

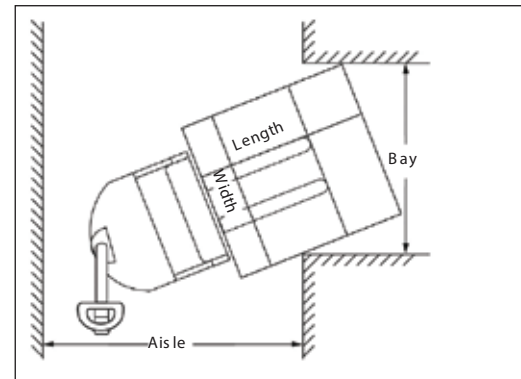
- 4-pack battery pack



Aisle Guide
BGL-33 Right Angle Stacking

Load Width		Load Length		
		36"	40"	48"
36"	914 mm	112" (2844 mm)	121" (3073 mm)	129" (3277 mm)
40"	1016 mm			
48"	1219 mm			

For ease of use add 6" to 8" aisle dimension listed.



Note: Aisle dimensions listed above assume the larger dimension; load width or load length. For ease of use and add 6" to 12" for operator clearance to the appropriate specifications listed above. Truck performance may vary due to application requirements and changes in model design.



Model#	Mast	Lift Height	Col Height	Free Lift	Ext Height w/LBR	Gradability		Weight Chassis Only	
		A	B	C	D	Loaded	Unloaded	lb	kg
3300 lb (1497 kg) Capacity at 24" (610 mm) Load Center ITA Class II Fork Carriage									
BGL-33-104	Two Stage	104" (2642 mm)	72" (1829 mm)	6" (152.4 mm)	139" (3531 mm)	5%	8%	4390	1991
BGL-33-126	Two Stage	126" (3200 mm)	83" (2108 mm)	6" (152.4 mm)	161" (4089 mm)	5%	8%	4695	2129
BGL-33-157*	Triple Stage	157" (3988 mm)	72" (1829 mm)	50" (1270 mm)	192" (4877 mm)	5%	8%	4820	2186

* Derate 500 lbs. above 132"

† Estimated shipping weight without battery



LONDON, Ontario
2390 Scanlan Street
London, ON N5W 6G8
Phone: 519-452-7770
Email: info@liftdepot.com

WINDSOR, Ontario
2-5900 Rhodes Drive
Windsor, ON N8N 2M1
Phone: 519-988-0006
Email: info@liftdepot.com

STRATFORD, Ontario
557 Lorne Ave. East
Stratford, ON N5A 6S4
Phone: 519-273-7664
Email: info@liftdepot.com

CAMBRIDGE, Ontario
45 Barnes Road
Cambridge, ON N3H 4R7
Phone: 519-653-4713
Email: info@liftdepot.com