

# Electric Powered Pallet Truck **BLUE GIANT**

## EPJ-30

Upgrade your manual pallet truck. No more pushing, pulling and pumping.

### CAPACITY

- 3000 lb (1361 kg)

### BATTERY

- 24-volt 65Ah AGM maintenance-free batteries
- 110V AC plug-in automatic charger

### SPEED

- 24-volt transistor travel control with high-efficiency permanent magnet drive motor
- **EMPTY:** 0 - 2.8 mph (4.8 kph)
- **LOADED:** 0 - 2.5 mph (4 kph)

### WEIGHT

- 450 lb (204 kg) (with battery and charger)

### TIRES / WHEELS

- **DRIVE:** 8.3" x 2.8" (211 mm x 71 mm) polyurethane
- **LOAD:** 2.9" x 3.5" (74 mm x 89 mm) polyurethane

### HYDRAULICS

- Pump unit with DC motor, solenoid, and gear pump
- Permanent magnet pump motor and chrome-plate lift cylinder provides smooth lifting and lowering

### ELECTRICAL

- Curtis® travel control with matching permanent magnet drive motor
- Electric braking
- Quick disconnect EPD power cut off
- Battery discharge indicator

### BRAKES

- Electromagnetic disc brake provides safe and secure stops under all conditions

### OPERATION / CONTROLS

- Ergonomic operator handle with travel, lift, and lower functions
- Angle grips allow easy operation with either hand
- Wrap-around guard
- Reversing switch
- Thumb control and horn
- Low mounted tiller arm offers excellent operator comfort and minimum steering effort

### TRANSMISSION

- 24-volt permanent magnet DC drive motor with rare earth neodymium magnets increases efficiency and duty cycle



### ACCESSIBILITY

- Removal of two piece power head cover exposes major components for easy inspection and maintenance

### OPTIONAL EQUIPMENT

- 85Ah battery
- Fork width: 22" (559 mm)
- Fork length: 36" (914 mm) and 48" (1219 mm)
- 48" (1219 mm) or 60" (1524 mm) tall load backrest
- Tool tray and load restraint
- Scale truck



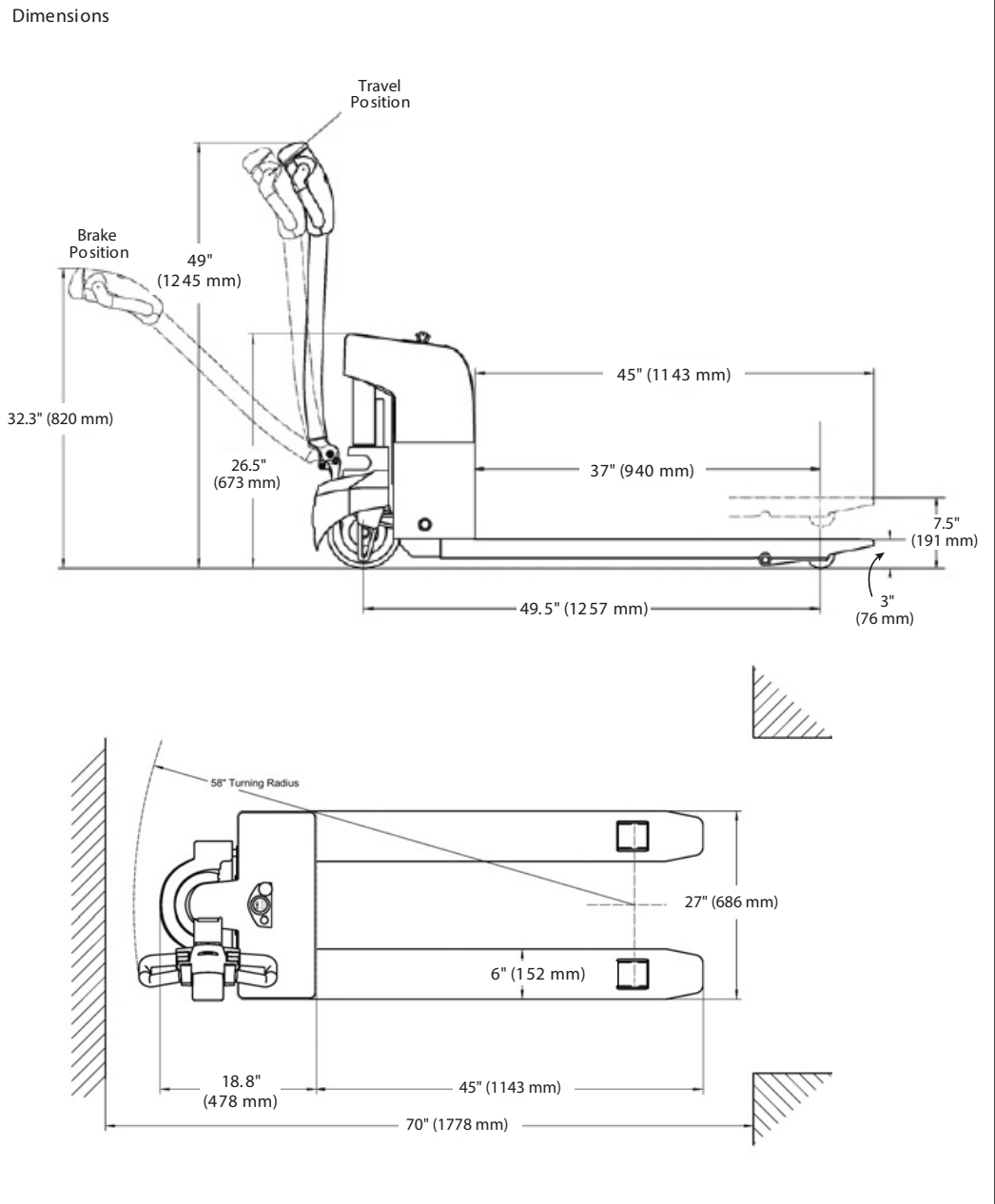
Battery discharge indicator, key switch, and emergency power disconnect.



Ergonomic operator's handle

Travel - Variable

Empty	0 to 2.8 mph
Loaded	0 to 2.5 mph



**LONDON, Ontario**  
 2390 Scanlan Street  
 London, ON N5W 6G8  
 Phone: 519-452-7770  
 Email: info@liftdepot.com

**WINDSOR, Ontario**  
 2-5900 Rhodes Drive  
 Windsor, ON N8N 2M1  
 Phone: 519-988-0006  
 Email: info@liftdepot.com

**STRATFORD, Ontario**  
 557 Lorne Ave. East  
 Stratford, ON N5A 6S4  
 Phone: 519-273-7664  
 Email: info@liftdepot.com

**CAMBRIDGE, Ontario**  
 45 Barnes Road  
 Cambridge, ON N3H 4R7  
 Phone: 519-653-4713  
 Email: info@liftdepot.com

[WWW.LIFTDEPOT.COM](http://WWW.LIFTDEPOT.COM)