

# Electric Powered Pallet Truck **BLUE GIANT**<sup>®</sup>

## EPJ-40

Ultra compact design is the ideal solution for lift gate and local delivery applications.

### CAPACITY

- 4000 lb (1814 kg)

### BATTERY

- (2) 12-volt AGM 85Ah maintenance-free batteries
- 10A 110V AC plug-in automatic charger

### SPEED

- 24-volt ZAPI AC-0 travel controller
- **EMPTY:** 0 - 3.6 mph (5.8 kph)
- **LOADED:** 0 - 3.3 mph (5.3 kph)

### WEIGHT

- 650 lb (272 kg) (with battery and charger)

### TIRES / WHEELS

- **DRIVE:** 9" x 3" (229 x 76 mm) polyurethane
- **LOAD:** 2.9" x 3.5" (84 x 48 mm) polyurethane

### HYDRAULICS

- Lift cylinder with chrome-plated rods
- Pump unit including motor, solenoid, gear pump, and pressure compensated lowering valve

### ELECTRICAL

- Electric braking
- Quick disconnect EPD power cut off
- Battery discharge indicator and key switch

### BRAKES

- Electromagnetic brake mounted on motor armature shaft, multiplying the braking power through the transmission
- Brake is applied when control arm is in the vertical or horizontal position
- Neutral braking resists rollback on ramps

### OPERATION / CONTROLS

- Ergonomic operator handle with travel, lift, and lower functions
- Angle grips allow easy operation with either hand
- Wrap-around guard
- Reversing switch
- Thumb control
- Key switch and horn
- Low mounted tiller arm offers excellent operator comfort and minimum steering effort
- Gas-assisted spring tiller handle
- Creep speed function with steer handle at 15° back-tilt from vertical



### TRANSMISSION

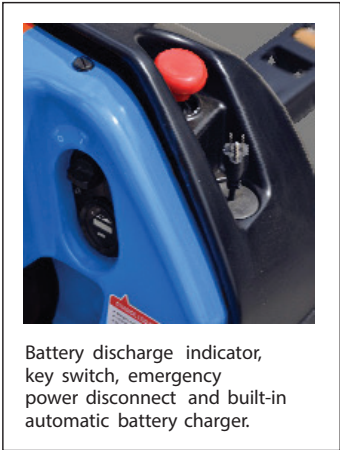
- Vertically mounted AC drive motor direct mounted to gear housing
- Oil-bathed hypoid bevel gear drivetrain with tapered roller bearings
- State-of-the-art optimized gear technology provides minimal envelope circle, zero maintenance, and low noise level

### ACCESSIBILITY

- Water-resistant
- Removal of three piece power head cover exposes major components for inspection and maintenance

### OPTIONAL EQUIPMENT

- Rubber lug drive tire
- 48" (1219 mm) and 60" (1524 mm) tall load backrest
- Fork width: 22" (559 mm)
- Fork length: 36" (914 mm)
- Tool tray with load restraint
- Stability Casters: 3.3" x 1.9" (74 x 89 mm) polyurethane

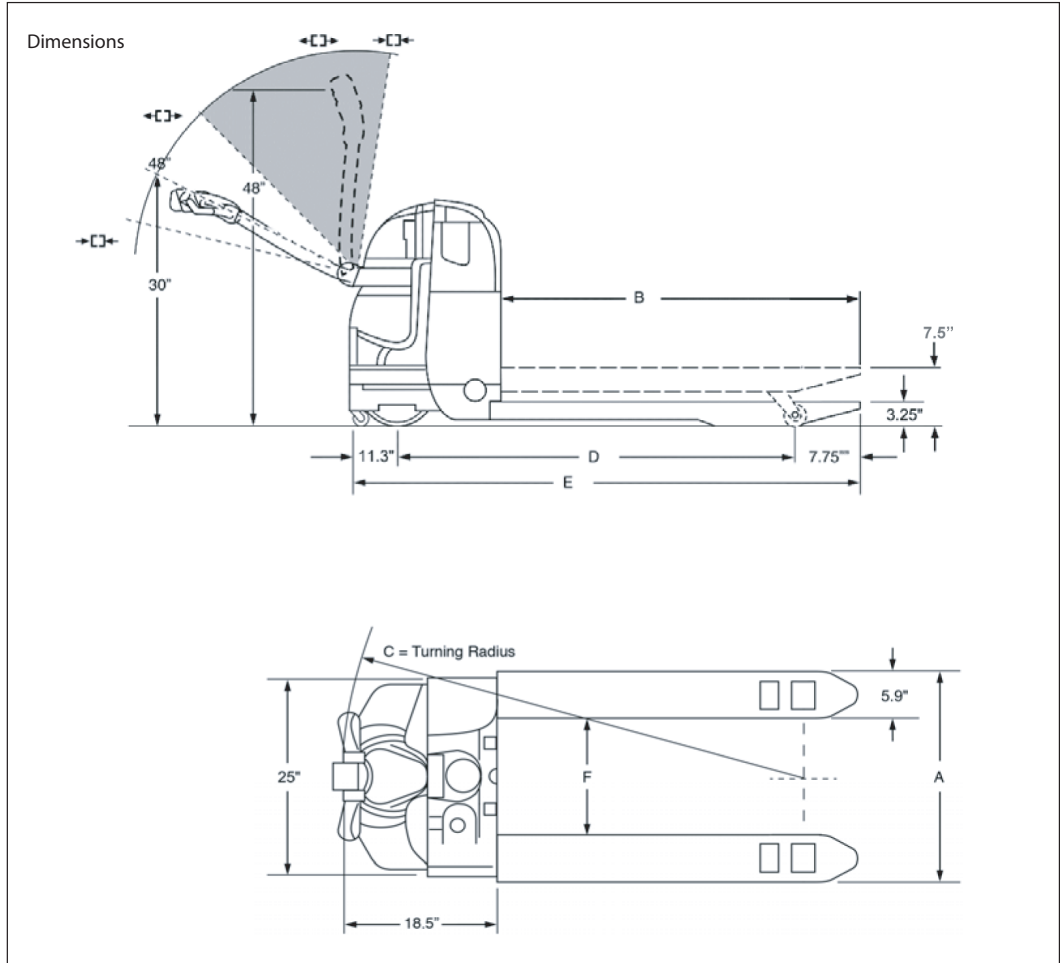


Battery discharge indicator, key switch, emergency power disconnect and built-in automatic battery charger.



Ergonomic operator's handle

Gradeability	
Without Load	10%
With Load	6%
Travel - Variable	
Empty	0 to 3.6 mph
Loaded	0 to 3.3 mph



Model#	Forks	Actual Fork Width	Actual Fork Length	Turning Radius	Wheel - base	Overall Length	Inside Fork Width	Weight*	
								lb	kg
Fork Dimension: 27" (686 mm) Wide		A	B	C	D	E	F		
EPJ-40	27" x 36" (686 x 914 mm)	27" (686 mm)	33" (838 mm)	45.5" (1156 mm)	32.95" (837 mm)	52" (1321 mm)	15.2" (386 mm)	635	288
	27" x 48" (686 x 1219 mm)		45" (1143 mm)	57.5" (1461 mm)	51.25" (1302 mm)	64" (1626 mm)		650	295
Fork Dimension: 22" (559 mm) Wide									
EPJ-40	22" x 36" (559 x 914 mm)	22" (556 mm)	33" (838 mm)	45.5" (1156 mm)	32.95" (837 mm)	52" (1321 mm)	9.7" (246 mm)	635	288
	22" x 48" (559 x 1219 mm)		45" (1143 mm)	57.5" (1461 mm)	51.25" (1302 mm)	64" (1626 mm)		650	295

\* Estimated shipping weight with (2) battery



**LONDON, Ontario**  
 2390 Scanlan Street  
 London, ON N5W 6G8  
 Phone: 519-452-7770  
 Email: info@liftdepot.com

**WINDSOR, Ontario**  
 2-5900 Rhodes Drive  
 Windsor, ON N8N 2M1  
 Phone: 519-988-0006  
 Email: info@liftdepot.com

**STRATFORD, Ontario**  
 557 Lorne Ave. East  
 Stratford, ON N5A 6S4  
 Phone: 519-273-7664  
 Email: info@liftdepot.com

**CAMBRIDGE, Ontario**  
 45 Barnes Road  
 Cambridge, ON N3H 4R7  
 Phone: 519-653-4713  
 Email: info@liftdepot.com