

EPJ-60R

Heavy duty end-control rider pallet truck ideal for manufacturing and large warehouse applications.

CAPACITY

- 6000 lb (2727 kg) at 24" (610 mm) load center

BATTERY

- Compartment dimensions: 31.1" x 13.1" x 31.6" (790 x 333 x 803 mm)
- Min/max battery weight: 975/1500 lb (443/682 kg)
- Connector: Anderson 175 Gray – A-11

SPEED

- **EMPTY:** 0 - 9.0 mph (14.4 kph)
- **LOADED:** 0 - 6.5 mph (10.5 kph)

TIRES / WHEELS

- **DRIVE:** 10" x 4" (254 x 102 mm) polyurethane
- **STABILITY CASTER WHEELS:** (2) 3.9" x 2.5" (99 x 66.5 mm) polyurethane
- **LOAD:** (2) 3.25" x 6.5" (83 x 165 mm) polyurethane

HYDRAULICS

- Center mounted lift cylinder
- Pump unit including motor, hydraulic reservoir, solenoid, and gear pump
- Integral pressure compensated flow control valve regulates lowering speed

ELECTRICAL

- 24-Volt programmable ZAPI traction control and matching drive motor provides high performance throughout the entire speed range
- Separately fused power control circuits
- Quick disconnect EPD power cut off
- Hour meter / battery discharge indicator combination gauge
- Power configurations and diagnostic features
- Travel speed remains constant relative to throttle position

BRAKES

- 24-Volt regenerative electromagnetic brake
- Brake is applied when control arm is in the vertical or horizontal handle position
- Neutral braking resists rollback on ramps

OPERATION / CONTROLS

- Large operator platform for increased comfort and productivity
- Ergonomic operator handle with travel, lift, and lower functions
- Microcellular rubber floor mat for improved operator comfort
- Large thumb control lever for forward and reverse travel allows travel as a rider truck or walkie



- Angled, one piece power head cover
- Smooth urethane high speed grab bar for operator security

TRANSMISSION

- Vertically mounted drive motor mounted to gear housing
- Oil-bathed hypoid bevel gear drivetrain with tapered roller bearings
- State-of-the-art optimized gear technology provides minimal envelope circle, zero maintenance, and low noise level

CASTER SYSTEM

- Heavy duty spring loaded, articulating systems designed to stabilize truck performance

FORK ASSEMBLY

- Pallet entry slide allows easy pallet entry by lifting the fork up and over bottom board
- Eight easily accessed grease zerks for ease of maintenance
- Tapered extended fork tip design is available on double pallet handling models

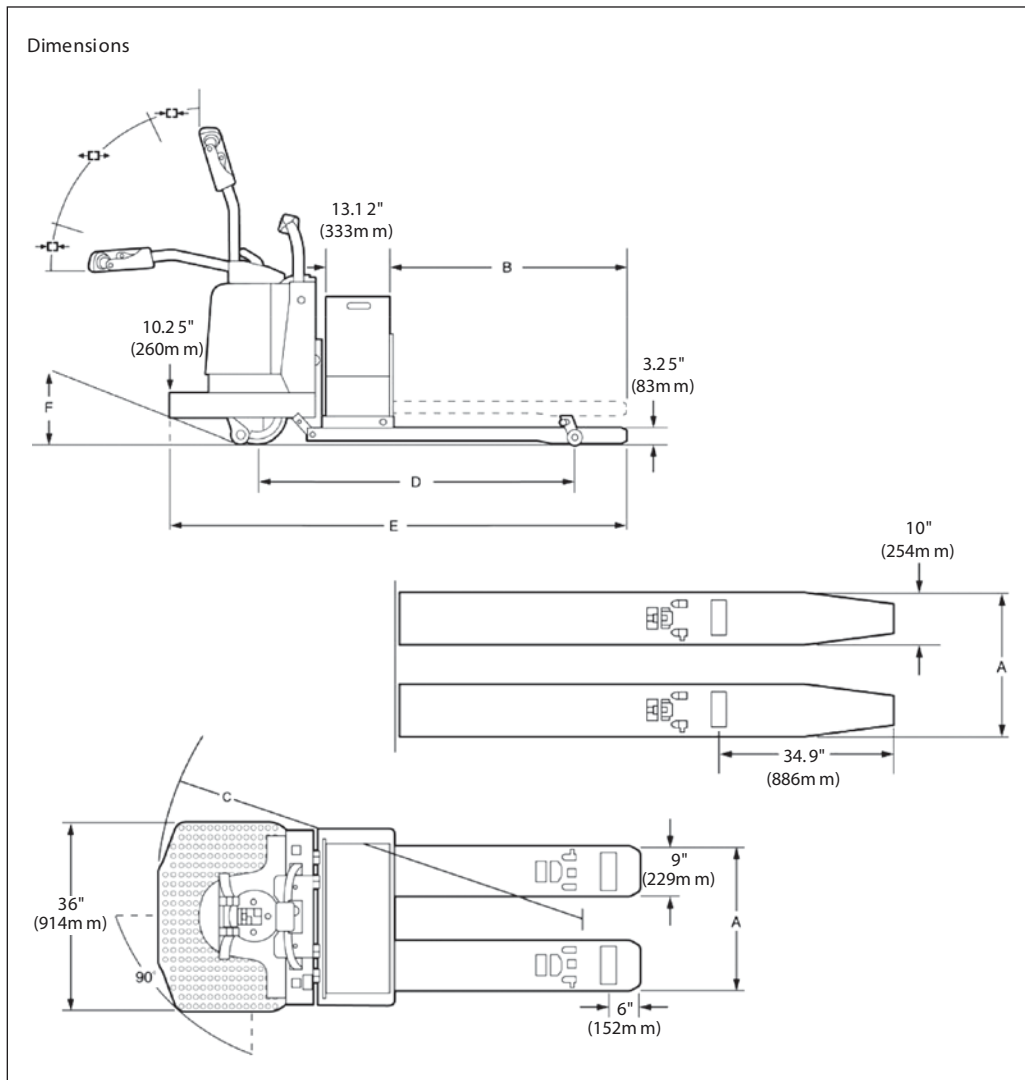
ACCESSIBILITY

- Durable composite single piece cover exposes major components for inspection and maintenance

STANDARD EQUIPMENT

- Large AC traction motor
- Tapered fork tips with entry skid plate
- Programmable performance travel / plugging / braking
- Ergonomic high speed bar

EPJ-60R | RIDER PALLET TRUCK | SPECIFICATIONS



Gradeability	
Without Load	15%
With Load	8%
Travel Power Head First - Variable	
Empty	0 to 9.0 mph
Loaded	0 to 6.5 mph
Travel Forks First - Variable	
Empty	0 to 7.1 mph
Loaded	0 to 5.4 mph
Lowered Fork Height	
3.25"	83 mm
Maximum Lift Height	
5.5"	140 mm
Extended Fork Height	
8.25"	210 mm
Platform Step Height	
10.25"	260 mm



Model#	Forks	Fork Width	Actual Fork Length	Turning Radius	Wheelbase	Overall Length	Grade Clearance	Weight ³	
		A	B	C	D	E	F	lb	kg

Fork Dimensions: 27" (686 mm) Wide

EPJ-60R	27" x 36" (686 x 914 mm)	27" (686 mm)	35.5" (902 mm)	68.9	55.8" (1417 mm)	80.1" (2035 mm)	38%	1175	534
	27" x 48" (686 x 1219 mm)		46.9" (1191 mm)	80.3	67.8" (1722 mm)	91.5" (2324 mm)	30%	1254	569
	27" x 60" (686 x 1524 mm)		59.5" (1511 mm)	91.2	79.8" (2026 mm)	104.1" (2644 mm)	25%	1354	614
EPJ-60R ²	27" x 96" (686 x 2438 mm)	28" (711 mm)	95.6" (2428 mm)	129.0	115.8" (2941 mm)	140.2" (3561 mm)	17%	1595	723



LONDON, Ontario
 2390 Scanlan Street
 London, ON N5W 6G8
 Phone: 519-452-7770
 Email: info@liftdepot.com

WINDSOR, Ontario
 2-5900 Rhodes Drive
 Windsor, ON N8N 2M1
 Phone: 519-988-0006
 Email: info@liftdepot.com

STRATFORD, Ontario
 557 Lorne Ave. East
 Stratford, ON N5A 6S4
 Phone: 519-273-7664
 Email: info@liftdepot.com

CAMBRIDGE, Ontario
 45 Barnes Road
 Cambridge, ON N3H 4R7
 Phone: 519-653-4713
 Email: info@liftdepot.com

WWW.LIFTDEPOT.COM

Blue Giant offers a full line of dock levelers, dock safety equipment, seals and shelters, accessories, ergonomic and scissor lift equipment and industrial trucks. Concurrent with our continuing product improvement program, specifications are subject to change without notice. Please contact Blue Giant for latest information. Some features illustrated may be optional in certain market areas.