

Powered Drive Straddle Truck **BLUE GIANT®**

EPS-30

Compact design for general material handling, stacking and work positioning in tight areas.

CAPACITY

- 3000 lb (1361 kg) @ 24" load center

INTEGRAL BATTERY CHARGER

- 24-volt maintenance-free batteries with direct connect 110A 110VAC plug-in automatic charger
- S22-128 (2)12V 100AH

SPEED

TRAVEL

- Variable from 0 mph to 3.2 mph empty
- Variable from 0 mph to 3.0 mph loaded

LIFT

- Up to 39.0 fpm empty
- Up to 27.5 fpm loaded

LOWERING

- Up to 21.5 fpm empty
- Up to 25.5 fpm loaded

TIRES / WHEELS

DRIVE: 9" x 3" polyurethane

STABILITY: 4" x 2" polyurethane

DUAL LOAD: (2) 4" x 2.9" polyurethane

HYDRAULICS

- Lift cylinder is hard chrome and provides smooth lifting and lowering
- Pump unit includes premium 3kw solenoid fired DC motor and reservoir

DRIVE

- 24-volt 1.3kw AC drive motor delivers high torque and efficiency to extend duty cycle

ELECTRICAL

- 24-volt ZAPI AC travel control provides high performance throughout the entire speed range
- Travel speed remains constant relative to throttle position regardless of load
- Separately fused power control circuits, quick disconnect EPD power cut off, and control head mounted hour meter / battery discharge indicator combination gauge complete the system

BRAKES

- Electronic neutral braking assists in delivering smooth and accurate control during operation
- Electro-mechanical brake provides secure stopping power when activated



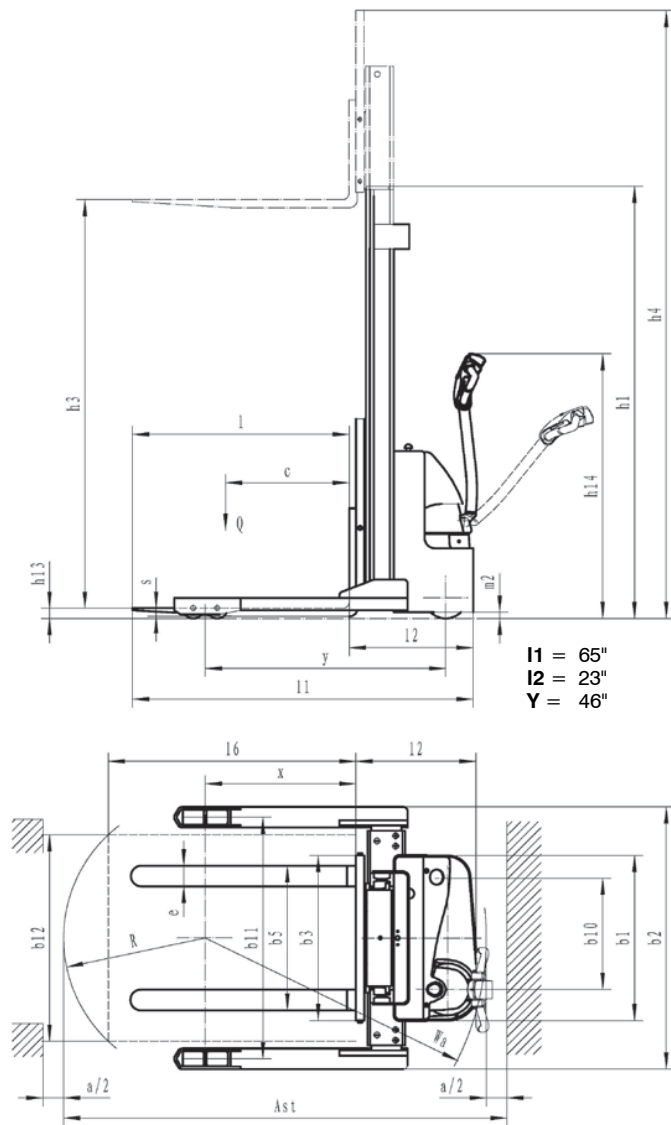
OPERATOR CONTROLS

- Offset steer arm provides excellent line of sight for operators allowing them to walk astride the vehicle during travel
- The offset design allows the vehicle to comfortably right angle stack standard pallets in aisles under seven feet
- Travel, lift, and lower functions are located in the ergonomic operator handle. All operator controls are accessible without having to lift the hand from the handle
- Angle grips allow easy operation with either hand
- Standard wrap around guard, reversing switch, thumb control, and horn
- Low mounted steer arm offers excellent operator comfort and minimum steering effort

CHASSIS AND MAST

- Heavy duty welded steel chassis and I-beam channel mast for added durability and service life
- Class II ITA 16.25" x 32" adjustable carriage comes standard with 42" x 4" x 1.5" forks and 36" load bask rest
- Telescoping mast includes a plexiglass mast guard and provides a 128" maximum fork elevation with a single cylinder—when collapsed the mast is a height of 83.8"
- 4" wide adjustable straddle legs allow for configurations to fit various sized pallets—straddle leg inside dimension (ID) can be set at 38" to 50" in 4" increments
- Unit features tandem load wheels with fully enclosed wheel guards and flush mounted axles prevent wheel and axle damage

Dimensions



I1 = 65"
I2 = 23"
Y = 46"

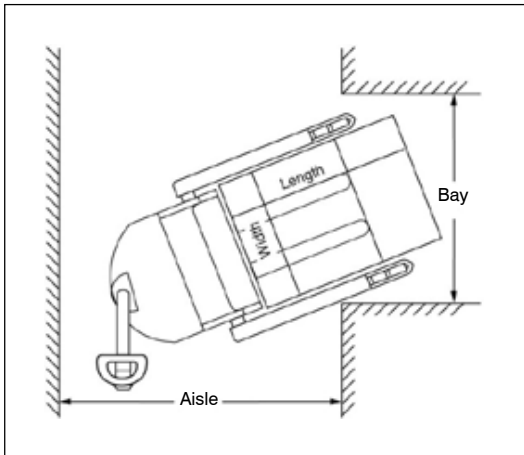
Turning radius Wa = 55.25"

SERVICEABILITY

- Removable two piece power head cover allows for easy maintenance and access to all vehicle components

EQUIPMENT OPTIONS

- Hand held remote lift and lower control box with 3' coiled cord



Aisle Guide - EPS30-128 Right Angle Stacking

Load Width	Load Length		
	36"	40"	48"
36"	61"	61"	61"
40"	62"	63"	63"
48"	67"	67"	67"

For ease of use add 8" to aisle dimension listed.

Note: Aisle dimensions listed above assume the minimum bay width to be straddle OD plus 5" (2.5" on each either side of straddle leg). Straddle OD is the load width plus 10".

Truck performance may vary due to application requirements and changes in model design.

All measurements shown are in standard "inch" units

Model#	Mast	Lift Height	Collapsed Height	Free Lift	Ext Height w/LBR	Adjustable Straddle Leg 4" Increments		³ Weight Complete
		h3	h1	h4	ID	OD		
EPS30-128	Two Stage	128"	83.8"	0"	164"	b12	b2	2000 lbs

³ Complete weight includes truck, battery and charger.



LONDON, Ontario
2390 Scanlan Street
London, ON N5W 6G8
Phone: 519-452-7770
Email: info@liftdepot.com

WINDSOR, Ontario
2-5900 Rhodes Drive
Windsor, ON N8N 2M1
Phone: 519-988-0006
Email: info@liftdepot.com

STRATFORD, Ontario
557 Lorne Ave. East
Stratford, ON N5A 6S4
Phone: 519-273-7664
Email: info@liftdepot.com

CAMBRIDGE, Ontario
45 Barnes Road
Cambridge, ON N3H 4R7
Phone: 519-653-4713
Email: info@liftdepot.com

WWW.LIFTDEPOT.COM