

BGL-22

Walkie version of the sit-down rider lift truck makes it an ideal choice for manufacturing work cells and handling a variety of load sizes.

CAPACITY

- 2200 lb (998 kg) at 24" (610 mm) load center

BATTERY

- 24-volt four pack power MF 224 AH with 5.4 kwh 100V AC plug-in charger
- Minimum battery weight: 340 lb (154 kg)
- Compartment dimensions (open): 26.4" x 9.1" (671 x 231 mm)
- Connector: SB-175 Gray—A-11

SPEED

- 24-volt ZAPI AC-0 travel controller

- **EMPTY:** 0 - 3.4 mph (5.5 kph)
- **LOADED:** 0 - 3.1 mph (5 kph)

- **LIFT - EMPTY:** up to 33 fpm
- **LIFT - LOADED:** up to 25 fpm

- **LOWERING - EMPTY:** up to 29 fpm
- **LOWERING - LOADED:** up to 57 fpm

TILT

- **BACK:** 4°
- **FORWARD:** 2°

TIRES / WHEELS

- **DRIVE:** 9" x 3" (229 x 76 mm) polyurethane
- **LOAD:** 8" x 3" (203 x 76 mm) polyurethane

HYDRAULICS

- Hard chrome lift cylinder
- Pump unit includes motor, gear pump, solenoid, and pressure compensated lowering valves that regulates lowering speed

ELECTRICAL

- ZAPI AC-0 travel controller and AC drive motor provides high torque throughout entire drive range
- Low-maintenance brushless design
- Automatic resetting circuit breaker and one piece micro switch
- Low battery interrupt
- Hour meter / battery discharge indicator combo

BRAKES

- Regenerative electromagnetic is mounted on motor armature shaft, multiplying the braking power through the transmission
- Travel speed reduced when forks above 12" (305 mm) fork height



- Brake is applied when control arm is in the vertical or horizontal handle position
- Neutral braking resists roll back on ramps

OPERATION / CONTROLS

- Ergonomic operator handle with travel, lift, and lower functions
- Wrap around guard
- Reversing switch
- Thumb control
- Key switch and horn
- Gas-assisted spring handle

TRANSMISSION

- Vertically mounted drive motor direct mounted to gear housing
- Oil-bathed ZF GK10 hypoid bevel gear drivetrain
- State-of-the-art optimized gear technology provides minimal envelope circle, zero maintenance, and low noise level

FRAME AND MAST

- Bolt-on high-visibility I-beam construction, lift cylinders are positioned on outer I-beam for best view through mast
- Dual lifting chains
- Class II ITA fork carriage with 36" (914 mm) tall load back rest
- Adjustable forks

BEARINGS

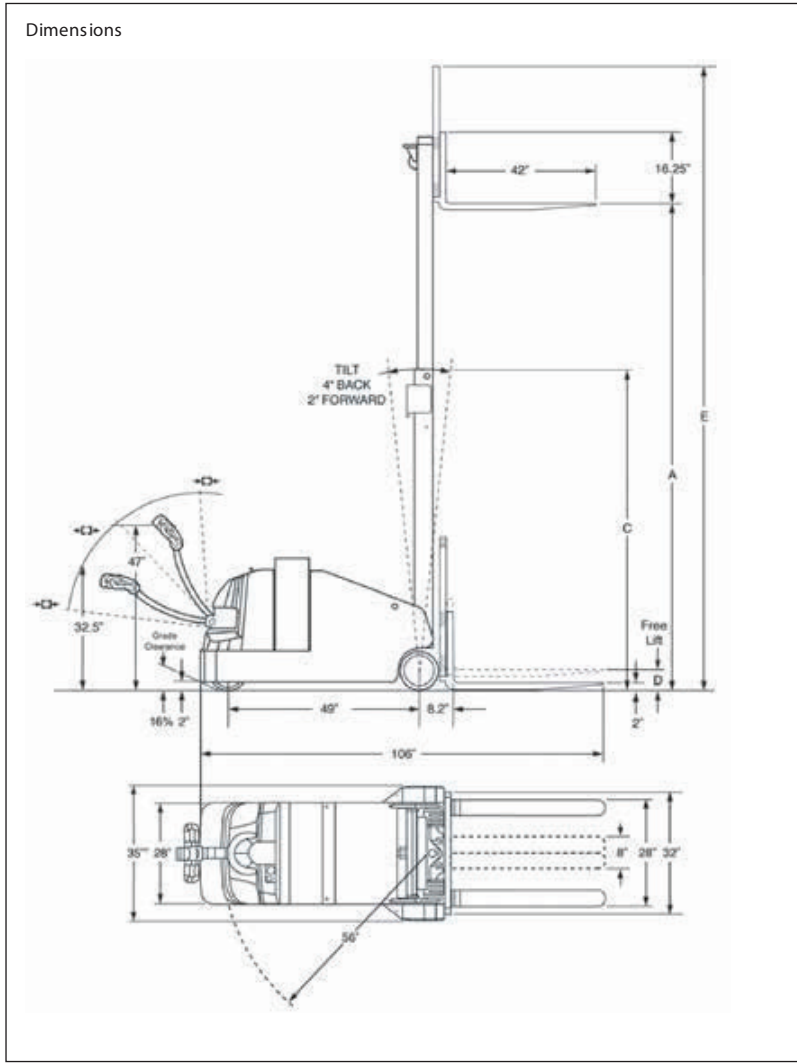
- **DRIVE WHEEL:** Tapered roller bearings sealed in oil bath
- **LOAD WHEELS:** Sealed ball bearings

ACCESSIBILITY

- Removal of two piece power head cover exposes major components for inspection and maintenance
- Drive wheel is removed with one nut

OPTIONAL EQUIPMENT

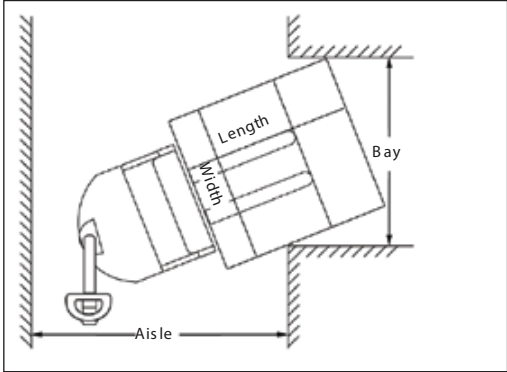
- Industrial battery 255 Ah 5.9 kwh



Aisle Guide
BGL-22 Right Angle Stacking

Load Width		Load Length		
		36"	40"	48"
36"	914 mm	115" (2844 mm)	120" (3073 mm)	125" (3277 mm)
40"	1016 mm			
48"	1219 mm			

For ease of use add 6" to 8" aisle dimension listed.



Note: Aisle dimensions listed above assume the larger dimension; load width or load length. For ease of use and add 6" to 12" for operator clearance to the appropriate specifications listed above. Truck performance may vary due to application requirements and changes in model design.



Model#	Mast	Lift Height	Col Height	Free Lift	Ext Height w/LBR	Gradability		Weight Chassis Only	
						Loaded	Unloaded	lb	kg
						A	B	C	E
2200 lb (998 kg) Capacity at 24" (610 mm) Load Center ITA Class II Fork Carriage									
BGL-22-104	Telescopic	104" (2641 mm)	72.3" (1836 mm)	6" (152 mm)	143" (3632 mm)	5%	8%	4500	1816
BGL-22-128	Telescopic	128" (3251 mm)	83.2" (2113 mm)		165" (4191 mm)	5%	8%	4550	1852
BGL-22-157*	Triple Stage	157" (3988 mm)	71.0" (1803 mm)	50" (1270 mm)	193" (4902 mm)	5%	8%	5007	2271

* Derates 400 lb above 128"



LONDON, Ontario
2390 Scanlan Street
London, ON N5W 6G8
Phone: 519-452-7770
Email: info@liftdepot.com

WINDSOR, Ontario
2-5900 Rhodes Drive
Windsor, ON N8N 2M1
Phone: 519-988-0006
Email: info@liftdepot.com

STRATFORD, Ontario
557 Lorne Ave. East
Stratford, ON N5A 6S4
Phone: 519-273-7664
Email: info@liftdepot.com

CAMBRIDGE, Ontario
45 Barnes Road
Cambridge, ON N3H 4R7
Phone: 519-653-4713
Email: info@liftdepot.com