

Powered Drive Straddle Truck **BLUE GIANT**[®]

EPS-22

Narrow aisle stacker, general material handling, stacking, work positioning in high areas.

CAPACITY

- 2200 lb (998 kg) at 24" (610 mm) load center

BATTERY

- 24-volt AGM maintenance-free batteries
- Direct connect 110A 110V AC plug-in automatic charger
- **EPS-22-62:** (2) 12V 65Ah
- **EPS-22-96/116:** (2) 12V 85Ah AGM

SPEED

- Curtis[®] transistor travel controller
- **EMPTY:** 0 - 3.4 mph (5.5 kmh)
- **LOADED:** 0 - 2.5 mph (4 kmh)
- **LIFT - EMPTY:** up to 33.5 fpm
- **LIFT - LOADED:** up to 17.8 fpm
- **LOWERING - EMPTY:** up to 17.5 fpm
- **LOWERING - LOADED:** up to 17.6 fpm

TIRES / WHEELS

- **DRIVE:** 8.26" x 2.76" (210 x 70.1 mm) polyurethane
- **STABILITY:** 4" x 2" (102 x 51 mm) polyurethane
- **DUAL LOAD:** (2) 4" x 2" (102 x 51 mm) polyurethane

HYDRAULICS

- Hard chrome lift cylinder and permanent magnet pump motor provides smooth lifting and lowering
- Pump unit includes DC motor, solenoid, and gear pump

ELECTRICAL

- Curtis[®] travel control provides smooth, step less travel
- Quick disconnect EPD power cut-off
- Battery discharge indicator

BRAKES

- Electronic neutral braking function provides smooth control
- Electromagnetic disc brake provides safe and secure stops

OPERATION / CONTROLS

- Offset steering arm allows right angle stacking in aisles as narrow as 60" (1524 mm)
- Ergonomic operator handle with travel, lift, and lower functions
- Angle grips allow for easy operation with either hand
- Wrap-around guard
- Reversing switch and horn
- Thumb control



- Low mounted tiller arm offers excellent operator comfort and minimum steering effort

DRIVE

- 24-volt permanent magnet DC drive motor with rare earth neodymium magnets increases efficiency and duty cycle

FRAME AND MAST

- Durable all steel construction welded rigid steel chassis
- Adjustable forks on pin style carriage
- Forks adjustable from 8" (203 mm) ID to 27.5" (699 mm) OD
- Standard fork is 42" (1067 mm) long x 3.5" (89 mm) wide x 1.25" (32 mm) thick
- 3" (76 mm) wide adjustable straddle legs for ease of operation
- Four position adjustment
- Straddle ID can be set at 38" (965 mm) to 50" (1270 mm) in 4" (102 mm) increments
- Fully enclosed wheel guard and flush mounted axles
- **EPS-22-62:** non-telescoping mono mast with single lifting chain and mast rollers

ACCESSIBILITY

- Removable one piece power head cover allows for easy maintenance

OPTIONAL EQUIPMENT

- 85Ah available on EPS-22-62 model
- Handheld remote lift and lower control box with 3' (914 mm) coiled cord

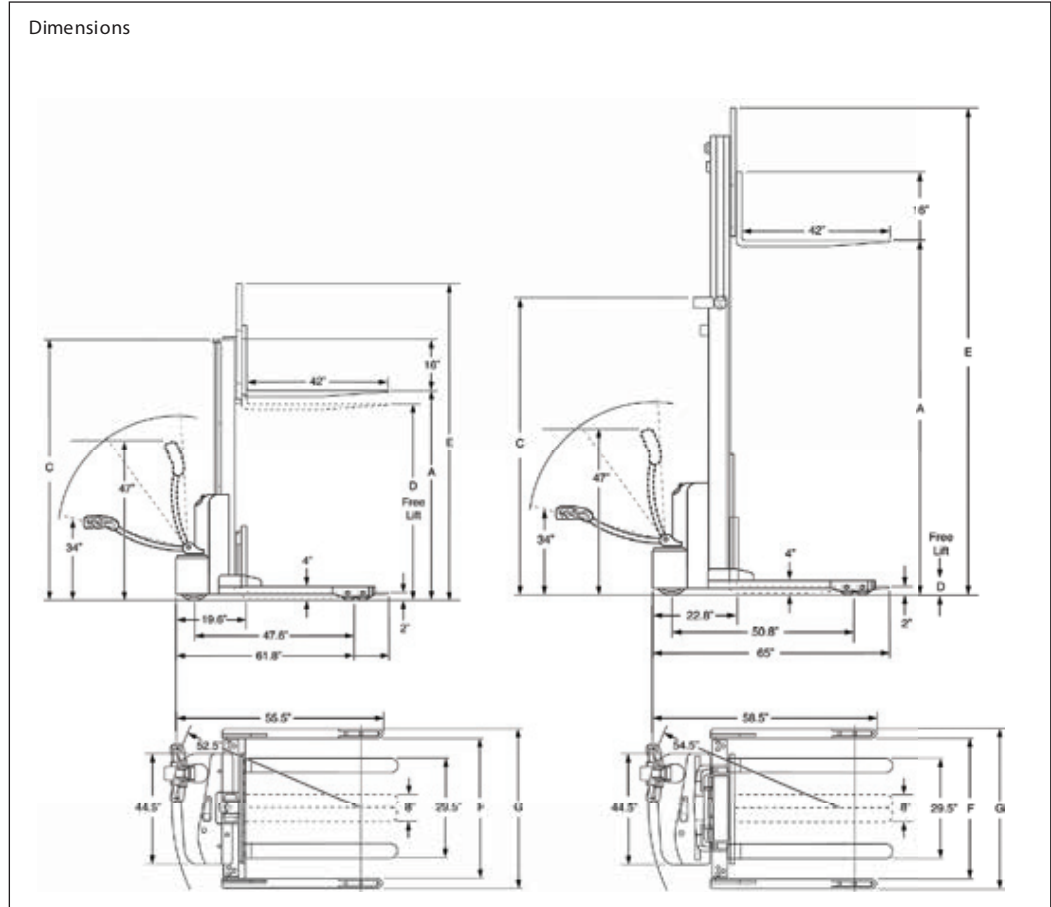
OPTIONAL BATTERY UPGRADE

- 85Ah available on model S22-62
- Hand held remote lift and lower control box with 3' (914 mm) coiled cord



TWO STAGE MAST FOR EPS-22-96/116

- Telescoping high-visibility mast and inner rail
- Clear view Plexiglas mast guard
- Dual lifting chains
- Adjustable mast rollers
- Chrome plated lift cylinder



Model#	Mast	Lift Height	Col. Height	Free Lift	Ext. Height w/LBR	Adjustable Leg 4" Increments		Weight (Complete)	
						ID	OD	lb	kg
		A	B	C	E	F	G		
2200lb (998 kg) Capacity at 24" (610 mm) Load Center ITA Class II Fork Carriage									
EPS-22-62	Mono	62" (1575 mm)	76.4" (1941 mm)	55.6" (1412 mm)	83.0" (2108 mm)	38" to 50" (965 mm to 1270 mm)	44" to 56" (1117 mm to 1422 mm)	1190	540
EPS-22-96	Telescopic	96" (2438 mm)	70.7" (1796 mm)	0	134.0" (3404 mm)			1320	599
EPS-22-116	Telescopic	116" (2946 mm)	80.7" (2050 mm)	0	153.5" (3899 mm)			1360	617

³ Complete weight includes truck, battery and charger
High lift height will be available



LONDON, Ontario
2390 Scanlan Street
London, ON N5W 6G8
Phone: 519-452-7770
Email: info@liftdepot.com

WINDSOR, Ontario
2-5900 Rhodes Drive
Windsor, ON N8N 2M1
Phone: 519-988-0006
Email: info@liftdepot.com

STRATFORD, Ontario
557 Lorne Ave. East
Stratford, ON N5A 6S4
Phone: 519-273-7664
Email: info@liftdepot.com

CAMBRIDGE, Ontario
45 Barnes Road
Cambridge, ON N3H 4R7
Phone: 519-653-4713
Email: info@liftdepot.com

WWW.LIFTDEPOT.COM