

## SEPJ-33 Semi-Electric Pallet Jack

Upgrade your hand pallet truck. Safely negotiate ramps and inclines with power drive and electric brake.

### CAPACITY

- 3,300 lb (1,497 kg)

### INTEGRAL BATTERY / CHARGER

- 24-volt 30AH maintenance free battery pack with 110V plug-in automatic charger

### TRAVEL SPEED

- **Empty:** Variable from 0 mph to 2.5 mph
- **Loaded:** Variable from 0 mph to 2.0 mph

### WEIGHT

- 308 lb (140 kg) with battery and charger

### TIRES / CASTERS

- **Drive:** (2) 8.3" x 2.8" (211 mm x 71 mm) polyurethane
- **Load:** (2) 2.9" x 3.5" (74 mm x 89 mm) polyurethane

### DRIVE

- 24-volt permanent magnet DC drive motor with rare earth neodymium magnets

### BRAKE

- Electromagnetic disc brake

### CONTROLS AND FEATURES

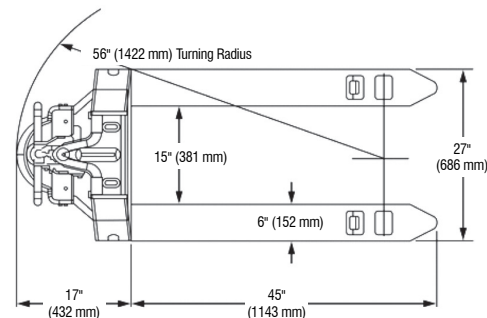
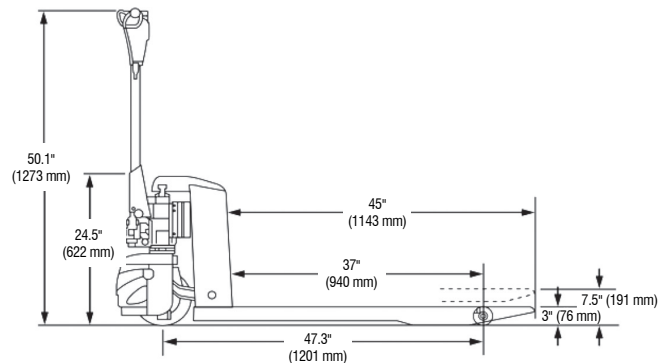
- Low mounted tiller arm offers excellent operator comfort
- Three position hydraulic lever: Lifting, neutral, and lowering
- Handle return spring keeps operator handle in vertical position
- Wrap around hand guard, push button travel control, reversing switch, on/off switch, battery discharge indicator and horn as standard equipment

### HYDRAULICS

- Galvanized housing with sturdy construction
- Fully sealed precision welded pump assembly with a hardened chrome lift cylinder

### FRAME

- Ridged reinforced steel C-channel construction
- Durable powder coat paint



**LONDON, Ontario**  
2390 Scanlan Street  
London, ON N5W 6G8  
Phone: 519-452-7770  
Email: info@liftdepot.com

**WINDSOR, Ontario**  
2-5900 Rhodes Drive  
Windsor, ON N8N 2M1  
Phone: 519-988-0006  
Email: info@liftdepot.com

**STRATFORD, Ontario**  
557 Lorne Ave. East  
Stratford, ON N5A 6S4  
Phone: 519-273-7664  
Email: info@liftdepot.com

**CAMBRIDGE, Ontario**  
45 Barnes Road  
Cambridge, ON N3H 4R7  
Phone: 519-653-4713  
Email: info@liftdepot.com

[WWW.LIFTDEPOT.COM](http://WWW.LIFTDEPOT.COM)